

AUTROL®

Doc. No.: C100-E05A



Autrol Field Indicator

MODEL

AI-100

- Multi-programable unit selection
- Easy calibration
- Easy button configuration
- Programable user difine unit

Duon System Co.,Ltd.
www.autrol.com

AUTROL®, AUTROL™ are trade mark of smart transmitter brand series to measure Pressure, Temperature and Level, which is manufactured & owned by DUON System Co., Ltd(hereafter DUON) since 1989. AUTROL®, AUTROL™ series also provide services of electric appliance installation, repair of electric, magnetic measuring instruments, electric appliance repair, repair of instruments and appliances for measuring and testing, repair of computer hardware, repair of electronic application machines and apparatus, repair of instruments and appliances for rotating, repair of electric power distribution machines and apparatus, repair of control machines and apparatus, computer hardware maintenance and administration, computer hardware installation. APT3500-Differential and high accuracy pressure Transmitter APT3100-Differential pressure Transmitter, APT3200-Gauge & Absolute pressure Transmitter, APT2100-Temperature Transmitter, AI100-Field Indicator.

AI-100

Autrol Field Indicator

Overview

Autrol Field Indicator, Model AI-100, is an Indicator for converting and displaying received 4 to 20 mA current input to setting range.

The Indicator is available to indicate 5 digit numbers, 6 digit letters and 4 type special symbols on LCD.

It has main functions such as Displaying 4 to 20mA current , Easy Configuration, Changing Square Root function and User Define Units.

AI-100 does not need separated power and it operates loop-powered 4 to 20mA.

The minimum operating current is 3.6 mA and maximum operating voltage is 2 Vdc.

User define function, E-Unit (Engineering Unit), can modify the unit letters that user wants to indicate on LCD as well as basic selectable units.



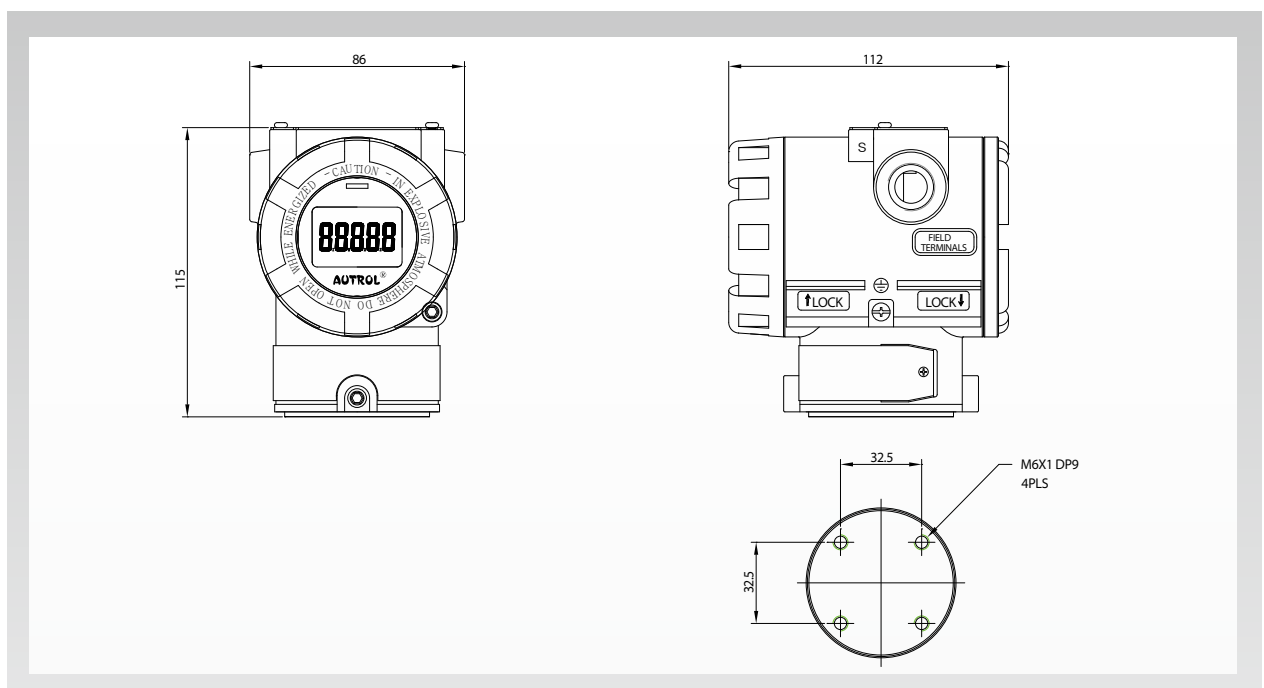
Features

- » Intuitive & Logical Interface
- » 4 ~ 20mA Loop Power
- » LCD Display
- » Low Voltage Drop
- » User Interface (2 Button)
- » Flexible Wide Range. (-99999 to 99999)
- » Easy Calibration
- » User Define Units, Modified Various Units

Applications

- » Remote Monitoring with 4~20mA input
- » Chemical, Steel, Paper, Thermal
- » Oil & Gas
- » Petro-chemical, Water treatment plants
- » Connect with all Autrol series for APT3100, APT3200, ATT2100, ALT6100 series.

Dimension



AI-100

Autrol Field Indicator

Technical Specifications

- ▣ **Range**
 - » Input Signal Range
 - 4 to 20 mA nominal
 - » Operating Range
 - 3.4 to 24 mA
- ▣ **Maximum overload Current**
 - 100mA
- ▣ **Voltage drop**
 - 1.5Vdc Typical, 2.0 Vdc Maximum
- ▣ **Indication range**
 - -99999 ~ 99999
 - 5 digit + 1 Sign(-)
 - 7-segment characters.
- ▣ **Temperature Limits**
 - » Storage
 - -40 to +85°C (-40 to +185°F)
 - » Operating
 - -20 to +70°C (-4 to +158 °F)
- ▣ **Relative humidity**
 - 100%RH
- ▣ **Update time**
 - Sensor Update Time 0.75 sec
 - Display Update Time 1.5 sec
- ▣ **Resolution**
 - ± 0.02%
- ▣ **Accuracy**
 - ±0.2% of Calibrated span(16mA)

Define Unit

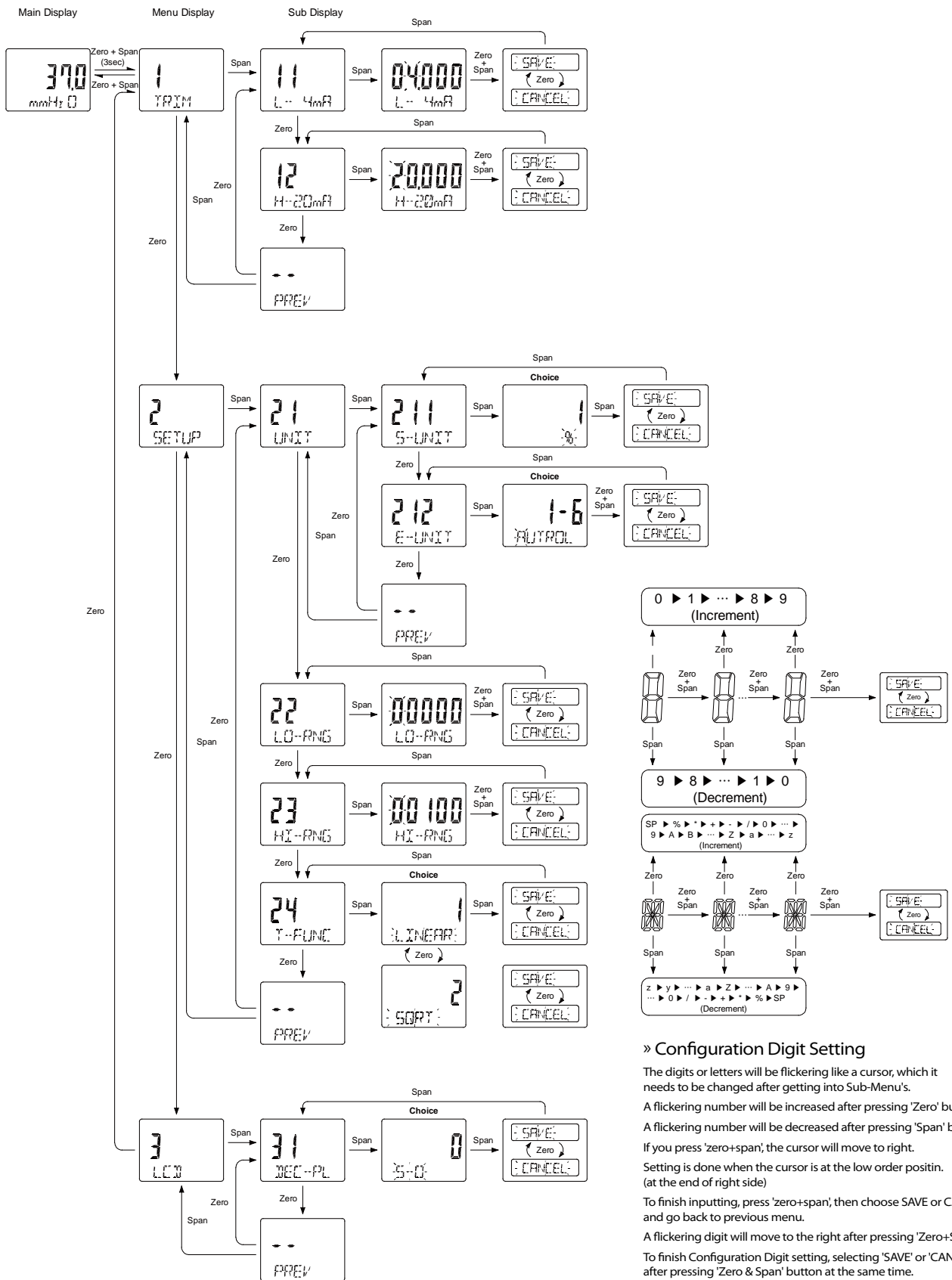
Num	Display_Unit	Num	Display_Unit
01	%	21	ft ³ /m
02	mA	22	Gal/m
03	V	23	l/m
04	Ohm	24	lGal/m
05	cnt	25	m ³ /h
06	InHzO	26	Gal/S
07	InHg	27	MGal/d
08	FtHzO	28	l/S
09	mmHzO	29	l/d
10	mmHg	30	ft ³ /S
11	PSI	31	ft ³ /d
12	BAR	32	m ³ /S
13	mBAR	33	m ³ /d
14	g/cm ²	34	lGal/h
15	Kg/cm ²	35	lGal/d
16	PA	36	°C
17	KPA	37	°F
18	MPA	38	°R
19	TORR	39	K
20	ATM	40	NONE

Ordering Information

ITEM	Code	Description
Electrical Connection	1	1/2 - 14 NPT
	2	G1/2 (Adapter)
	X	Special
Harzard Location Certification	K0	Maker Standard (IP67)
	K1	Korea Approval (KC) Flameproof
	K2*	Korea Approval (KC) Intrinsic Safety
	E1*	ATEX Flameproof
	E2*	ATEX Intrinsic Safety
	F1*	FM Flameproof
	F2*	FM Intrinsic Safety
Units	<input type="checkbox"/> <input type="checkbox"/>	01 ~ 40 (Refer. to "Define Units")
Options	ST	Stainless steel Housing
	BA	Stainless steel bracket (Angle type) with SUS Bolt & Nuts
	BF	Stainless steel bracket (Flat type) with SUS Bolt & Nuts

Note: "*" before order.

Menu Configurations



» Configuration Digit Setting

The digits or letters will be flickering like a cursor, which it needs to be changed after getting into Sub-Menus.

A flickering number will be increased after pressing 'Zero' button.

A flickering number will be decreased after pressing 'Span' button.

If you press 'zero+span', the cursor will move to right.

Setting is done when the cursor is at the low order position. (at the end of right side)

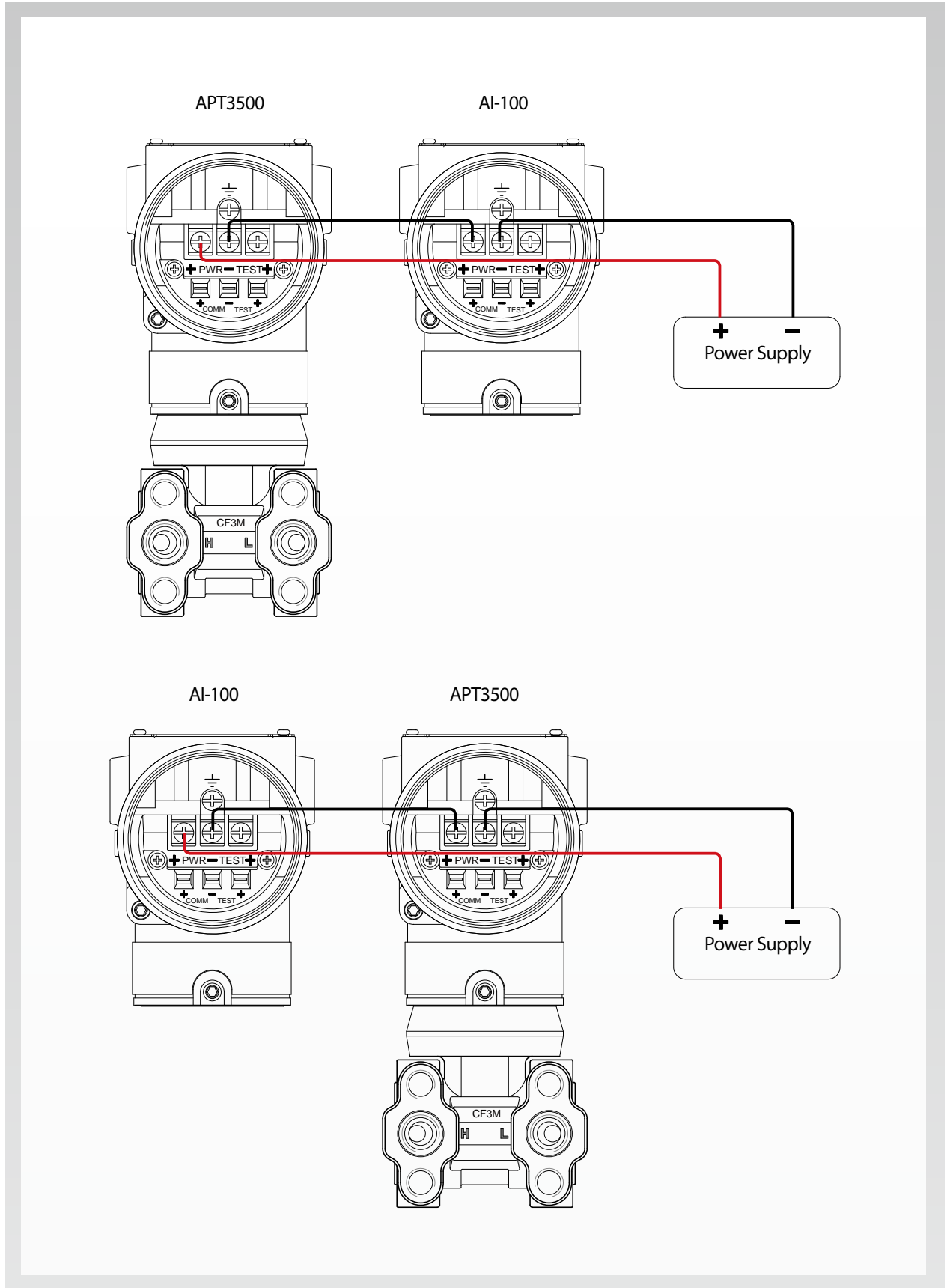
To finish inputting, press 'zero+span', then choose SAVE or CANCEL and go back to previous menu.

A flickering digit will move to the right after pressing 'Zero+Span'.

To finish Configuration Digit setting, selecting 'SAVE' or 'CANCEL' after pressing 'Zero & Span' button at the same time.

And then go back to previous menu.

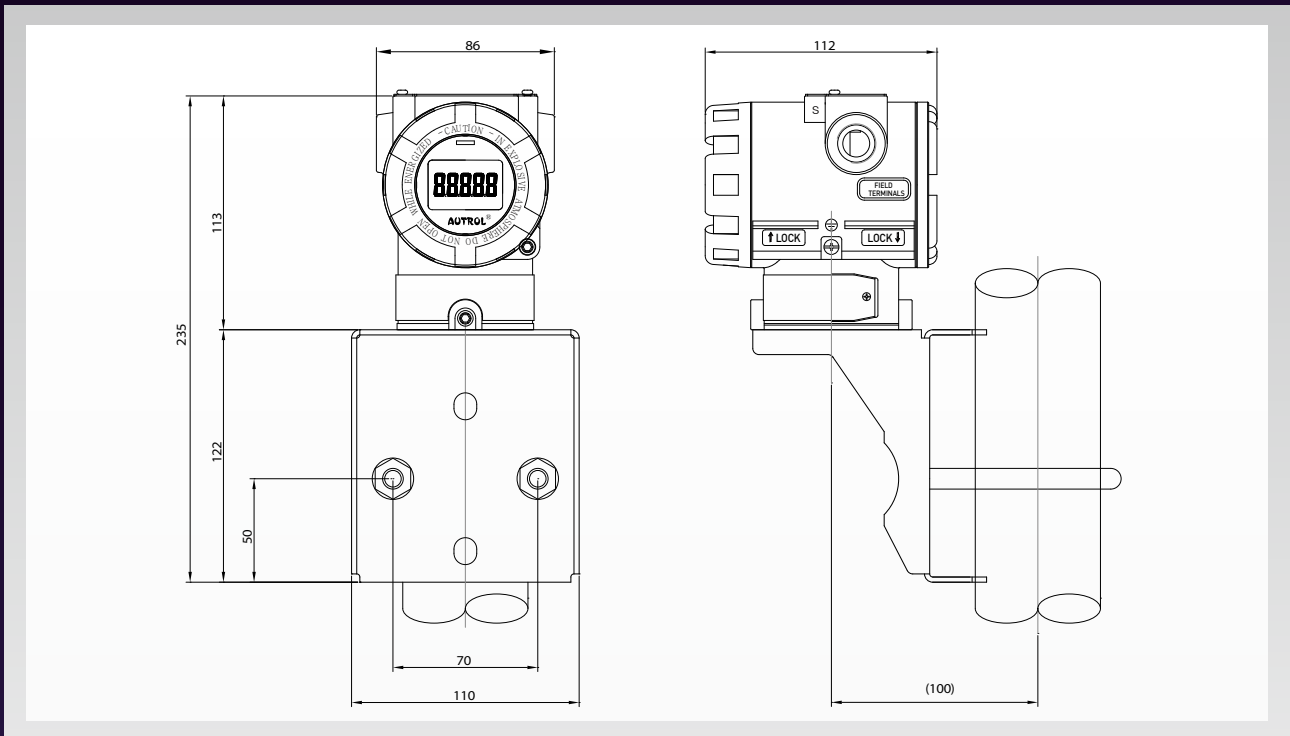
Electrical Connections



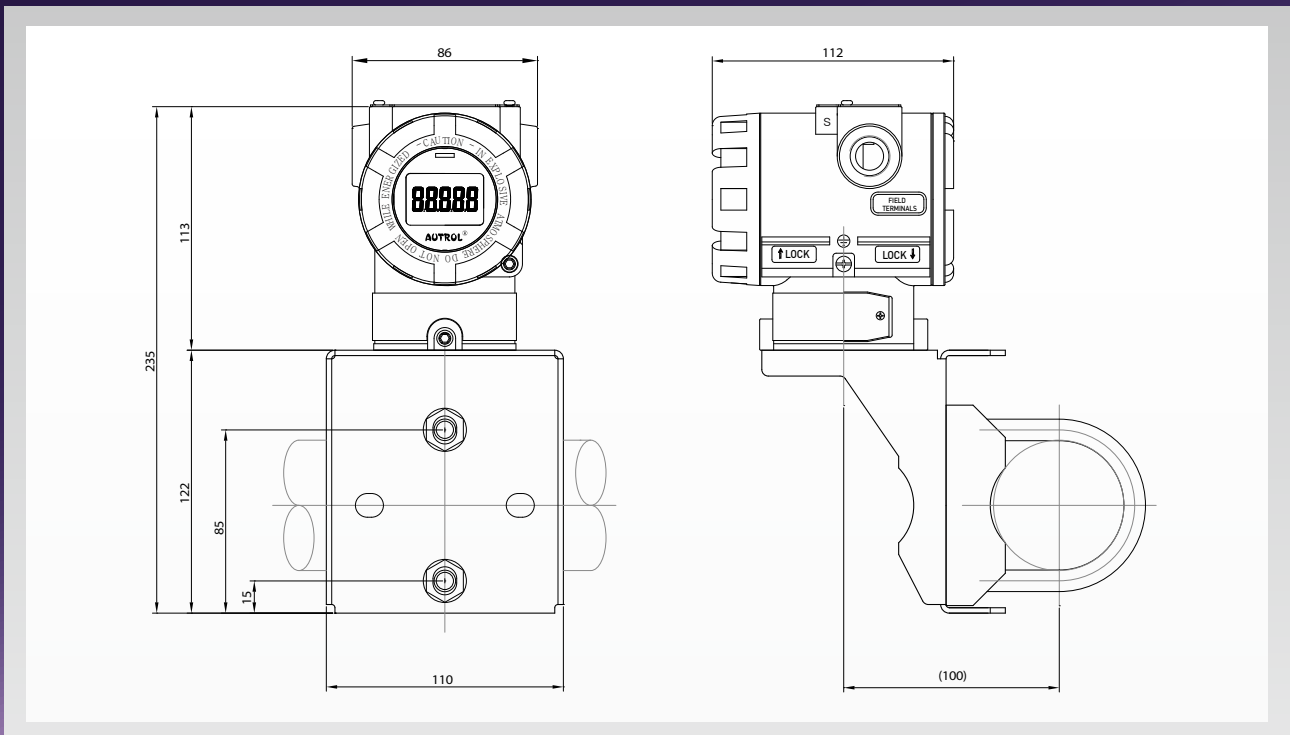
Dimensions of Transmitter (mm)

Vertical Mounting Type 2"Pipe Mounting Bracket

AUTROL®



Horizontal Mounting Type 2"Pipe Mounting Bracket



Copyright © Duon-System Co., Ltd. Jul. 2016

Duon System Co.,Ltd.

298-29, GONDAN-RO, GUNPO-SI, GYEONGGI-DO, KOREA 15809
Tel: +82-31-389-6100 Fax: +82-31-429-7200 Web: www.autrol.com